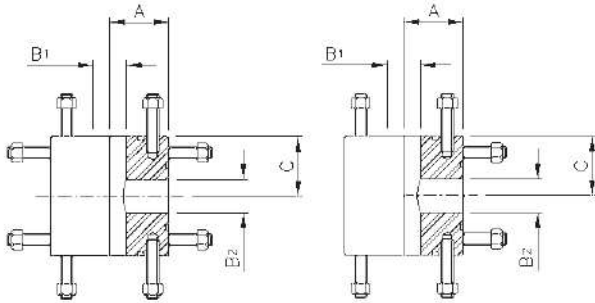


API STUDDED CROSSES AND TEES



RATED WORKING PRESSURE (psi)	NOMINAL SIZE AND BORE		CENTRE TO FACE. VERTICAL RUN C [Inches] + .03, -0	CENTRE TO FACE. HORIZONTAL RUN A [Inches] + .03, -0
	VERTICAL B1	HORIZONTAL B2		
	[Inches] + .03, -0	[Inches] + .03, -0		
2,000	2 ¹ / ₁₆	2 ¹ / ₁₆	3.50	3.50
	2 ² / ₁₆	2 ¹ / ₁₆	3.50	4.00
	2 ² / ₁₆	2 ² / ₁₆	4.50	4.50
	3 ¹ / ₈	2 ¹ / ₁₆	3.50	4.50
	3 ¹ / ₈	2 ² / ₁₆	4.50	4.50
	3 ¹ / ₈	3 ¹ / ₈	4.50	4.50
	4 ¹ / ₁₆	2 ¹ / ₁₆	4.50	5.50
	4 ¹ / ₁₆	2 ² / ₁₆	4.50	5.50
	4 ¹ / ₁₆	3 ¹ / ₈	4.50	5.50
	4 ¹ / ₁₆	4 ¹ / ₁₆	5.50	5.50
3,000	3 ¹ / ₈	2 ¹ / ₁₆	4.50	5.00
	3 ¹ / ₈	2 ² / ₁₆	5.00	5.00
	3 ¹ / ₈	3 ¹ / ₈	5.00	5.00
	4 ¹ / ₁₆	2 ¹ / ₁₆	4.50	6.12
	4 ¹ / ₁₆	2 ² / ₁₆	5.00	6.12
	4 ¹ / ₁₆	3 ¹ / ₈	5.00	6.12
	4 ¹ / ₁₆	4 ¹ / ₁₆	6.12	6.12
	4 ¹ / ₁₆	4 ¹ / ₁₆	6.12	6.12
5,000	2 ¹ / ₁₆	2 ¹ / ₁₆	4.50	4.50
	2 ² / ₁₆	2 ¹ / ₁₆	4.50	5.00
	2 ² / ₁₆	2 ² / ₁₆	5.00	5.00
	3 ¹ / ₈	2 ¹ / ₁₆	4.50	5.50
	3 ¹ / ₈	2 ² / ₁₆	5.50	5.50
	3 ¹ / ₈	3 ¹ / ₈	5.50	5.50
	4 ¹ / ₁₆	2 ¹ / ₁₆	4.50	6.50
	4 ¹ / ₁₆	2 ² / ₁₆	5.00	6.50
	4 ¹ / ₁₆	3 ¹ / ₈	5.50	6.50
	4 ¹ / ₁₆	4 ¹ / ₁₆	6.50	6.50
10 000	1 ¹³ / ₁₆	1 ¹³ / ₁₆	4.38	4.38
	2 ¹ / ₁₆	1 ¹³ / ₁₆	4.38	4.38
	2 ¹ / ₁₆	2 ¹ / ₁₆	4.38	4.38
	2 ² / ₁₆	1 ¹³ / ₁₆	4.50	5.12
	2 ² / ₁₆	2 ¹ / ₁₆	4.50	5.12

RATED WORKING PRESSURE (psi)	NOMINAL SIZE AND BORE		CENTRE TO FACE. VERTICAL RUN C [Inches] + .03, -0	CENTRE TO FACE. HORIZONTAL RUN A [Inches] + .03, -0
	VERTICAL B1	HORIZONTAL B2		
	[Inches] + .03, -0	[Inches] + .03, -0		
10 000	2 ¹ / ₁₆	2 ¹ / ₁₆	5.12	5.12
	3 ¹ / ₁₆	1 ¹³ / ₁₆	4.50	5.88
	3 ¹ / ₁₆	2 ¹ / ₁₆	4.50	5.88
	3 ¹ / ₁₆	2 ² / ₁₆	5.12	5.88
	3 ¹ / ₁₆	3 ¹ / ₁₆	5.88	5.88
	4 ¹ / ₁₆	1 ¹³ / ₁₆	4.50	6.88
	4 ¹ / ₁₆	2 ¹ / ₁₆	4.50	6.88
	4 ¹ / ₁₆	2 ² / ₁₆	5.12	6.88
	4 ¹ / ₁₆	3 ¹ / ₁₆	5.88	6.88
	4 ¹ / ₁₆	4 ¹ / ₁₆	6.88	6.88
15 000	1 ¹³ / ₁₆	11 ³ / ₁₆	5.00	5.00
	2 ¹ / ₁₆	11 ³ / ₁₆	5.00	5.00
	2 ¹ / ₁₆	2 ¹ / ₁₆	5.00	5.00
	2 ² / ₁₆	1 ¹³ / ₁₆	5.50	5.50
	2 ² / ₁₆	2 ¹ / ₁₆	5.50	5.50
	2 ² / ₁₆	2 ² / ₁₆	5.50	5.50
	3 ¹ / ₁₆	1 ¹³ / ₁₆	6.31	6.31
	3 ¹ / ₁₆	2 ¹ / ₁₆	6.31	6.31
	3 ¹ / ₁₆	2 ² / ₁₆	6.31	6.31
	3 ¹ / ₁₆	3 ¹ / ₁₆	6.31	6.31
	4 ¹ / ₁₆	11 ³ / ₁₆	7.62	7.62
	4 ¹ / ₁₆	2 ¹ / ₁₆	7.62	7.62
	4 ¹ / ₁₆	2 ² / ₁₆	7.62	7.62
	4 ¹ / ₁₆	3 ¹ / ₁₆	7.62	7.62
	4 ¹ / ₁₆	4 ¹ / ₁₆	7.62	7.62
	20 000	1 ¹³ / ₁₆	11 ³ / ₁₆	6.47
2 ¹ / ₁₆		11 ³ / ₁₆	6.47	6.47
2 ¹ / ₁₆		2 ¹ / ₁₆	6.47	6.47
2 ² / ₁₆		11 ³ / ₁₆	7.28	7.28
2 ² / ₁₆		2 ¹ / ₁₆	7.28	7.28
2 ² / ₁₆		2 ² / ₁₆	7.28	7.28
3 ¹ / ₁₆		1 ¹³ / ₁₆	7.97	7.97
3 ¹ / ₁₆		2 ¹ / ₁₆	7.97	7.97
3 ¹ / ₁₆		2 ² / ₁₆	7.97	7.97
3 ¹ / ₁₆		3 ¹ / ₁₆	7.97	7.97
4 ¹ / ₁₆		1 ¹³ / ₁₆	9.91	9.91
4 ¹ / ₁₆		2 ¹ / ₁₆	9.91	9.91
4 ¹ / ₁₆		2 ² / ₁₆	9.91	9.91
4 ¹ / ₁₆		4 ¹ / ₁₆	9.91	9.91

GENERAL NOTES: Dimensions are in inches